

Eliminate Low-Power RV A/C Starting Problems

SoftStartRV™ High-Performance Soft Starter – The Smallest Model Anywhere – Fits Any Rooftop A/C

Over 52% Smaller Than Anything Else on the Market!

- Start two A/Cs* on one 30-amp hookup
- Start one A/C with a small generator
- Start one A/C on a 15-amp house circuit
- Reduces power needed for A/C startup by up to 70%!
- No loud knocks or dimming lights when A/C starts
- Quiet comfort – all day and night

* Requires one SoftStartRV unit per air conditioner.

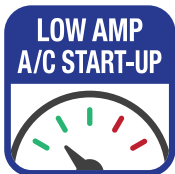
With SoftStartRV, experience **Freedom!**

Freedom to venture into national parks and remote campgrounds knowing you, your family and friends can stay cool.

Freedom to run two A/Cs on a 30-amp connection with two SoftStartRVs.

Never worry about a start-up power spike preventing you from using the A/C while you're boondocking, moochdocking or resort camping!

Worry-free RV A/C comfort at last!



More A/C with less power!



Quiet comfort day and night



Withstands wet conditions



Compatible with RVs worldwide



High quality guaranteed



Online and LIVE install help available



SoftStartRV™
By NetworkRV

Advanced Soft Starter for RV A/Cs

- ✓ Reduces Startup Amps By 65% - 70%
- ✓ Start Your A/C Without A Big Or 2nd Generator
- ✓ Sleep With Less Noise – Stay Cool All Night
- ✓ Run Your A/C With More Appliances
- ✓ For 115V to 240V 50-60 Hz Motors & Up To 3-Ton Compressors
- ✓ No Contactor Or Capacitor Needed. Both Are Built In

⚠ WARNINGS ⚠

- ⚠ Disconnect Power Before Opening Or Installing
- ⚠ Remove All Other Starters, e.g. PTC, Hard Starters
- ⚠ Do Not Swap The Run And Start Windings
- ⚠ Do Not Use An External Capacitor (Built In)

Copyright © MMXXII NetworkRV LLC



Run LED1 Start LED2 Self-Test LED3

SoftStartRV™
By NetworkRV

FEATURES AND BENEFITS

Reduces startup power demand by up to 70%.
Delivers more efficient A/C startup with campground and generator power. Helps keep overall campground electrical power usage down.



No more loud knocks, shaking or dim lights during startup.

Reduces stress on A/C compressor; extends A/C life.

COMPLETE SOFTSTARTRV™ PACKAGE INCLUDES:

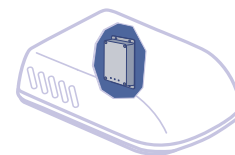
- SoftStartRV™ Model SSRV3T3 soft starter
- FREE wire crimpers
- Universal accessory kit: wiring connectors, zip ties, hardware fasteners
- Instruction guide



INSTALLATION / SUPPORT

1 DETERMINE A LOCATION

Find a good spot under the cover of the rooftop A/C unit. The SSRV3T3 unit should be securely, vertically installed on a vertical panel with wires at the bottom.



*Easily Installs Under A/C Covers
(Location depends on A/C design. Size of SoftStartRV unit not shown to scale.)*

2 FASTEN TO DESIRED LOCATION

Each SoftStartRV unit comes complete with hardware fasteners, and is also equipped with a heavy-duty adhesive bonding pad to mount to most any type of surface.

3 GO ONLINE FOR WIRING DIAGRAMS, VIDEOS AND LIVE HELP

Get wiring diagrams specific to your RV at:

INSTALLATION INSTRUCTIONS:

SoftStartRV.com/support

Other helpful links include:

FAQ's: SoftStartRV.com/FAQ

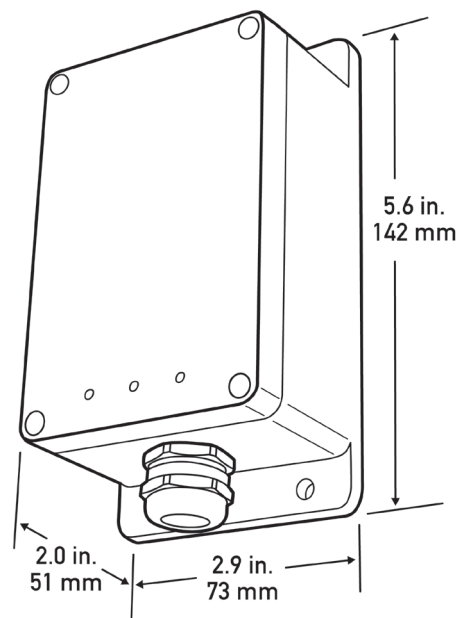
TROUBLESHOOTING: SoftStartRV.com/troubleshooting

SUPPORT TICKET: SoftStartRV.com/support-ticket

TECHNICAL SPECIFICATIONS – SOFTSTARTRV A/C STARTER

Model number:	SSRV3T3
Nominal working voltage:	110VAC (90~135VAC) & 240VAC (187~266VAC), 1 phase
Power consumption:	Less than 3W
Protection restart time interval:	3 minutes
Maximum continuous working voltage:	135VAC/266VAC
Maximum continuous working current:	18A
Maximum non-repetitive inrush current:	170A (<20 ms)
Maximum surge current:	120A (<350 ms)
Soft start-up time:	1±0.5s
Current consumption:	48mA
Operation hours:	More than 45,000 hours (rated working temperature)
Protection restart time interval:	3 minutes
Working temperature:	-40°F to 185°F (-40°C to 85°C)
Working humidity:	0~95% RH – <104°F (<40°C)
Dimensions:	5.6 x 2.9 x 2.0 in. (142 mm x 73 mm x 51 mm)
Weight:	1 lb. 5.2 oz. (0.88 kg)
Warranty:	One-year limited warranty (standard); Three-year limited warranty available (see details inside product package)

DIMENSIONS



SoftStartRV™
By NetworkRV

a product of
SoftStartUSA